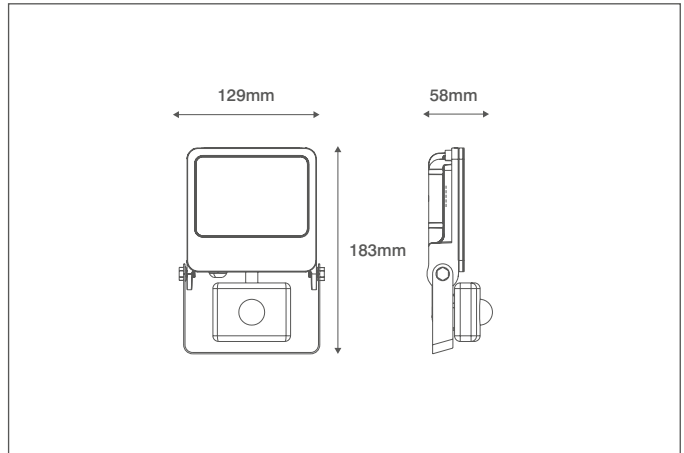


PATHFINDER

Technical Specification

Product Code: OV10120BKCWPIR

Description: 20W LED Floodlight With PIR IP44 CW Black

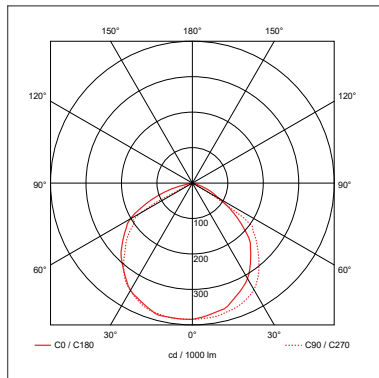


General Information

| | |
|---------------------|---|
| Dimensions (mm) | 129 (W) x 58 (D) x 183 (H) |
| Materials | Body: Powdercoated Aluminium; Diffuser: Prismatic Glass |
| Finish | Black (RAL 9004) |
| Product Weight (Kg) | 0.44 |
| Ingress Protection | IP44 |
| Impact Rating (IK) | 06 |
| Warranty (Years) | 3 |

Supply & Power Information

| | |
|-------------------------------------|--|
| Input Voltage & Frequency (V~ / Hz) | 220-240 50/60 |
| Safety Class | I |
| Circuit Wattage (W) | 20 |
| Input Current (mA) | 46 |
| Inrush Current/Time | 0.047A (56µs) |
| Power Factor | 0.9 |
| Operating Temperature (°C) | -10 to +45 |
| Critical Temperature (°C) | +70 |
| Input Mains Cable | 3 x 1mm ² H05RN-F (1 Metre) |



Luminaire Output

| | |
|----------------------------|-------|
| Colour Temperature (K) | 4000 |
| Colour Render Index (CRI) | >80 |
| Typical Luminous Flux (lm) | 1600 |
| Efficacy (lm/W) | 80 |
| Beam Angle (°) | 110 |
| LED Lifetime (L70) (Hours) | 30000 |

Sensor Information

| | |
|----------------------------|-------------------------|
| Detection Distance (M) | 10 |
| Detection Angle (°) | 180 |
| Light Level Settings (Lux) | 2 to 2000 |
| Time Delay Settings | 10 Seconds - 10 Minutes |
| Light Level Settings (Lux) | 2 2000 |

Dimming Information

| | |
|----------|----|
| Dimmable | No |
|----------|----|



OVIA Limited, Scolmore House, Mariner, Lichfield Road Industrial Estate,
 Tamworth, Staffordshire, B79 7UL United Kingdom
 T: +44 (0)1827 300640
 E: sales@oviaUK.com | W: oviaUK.com

